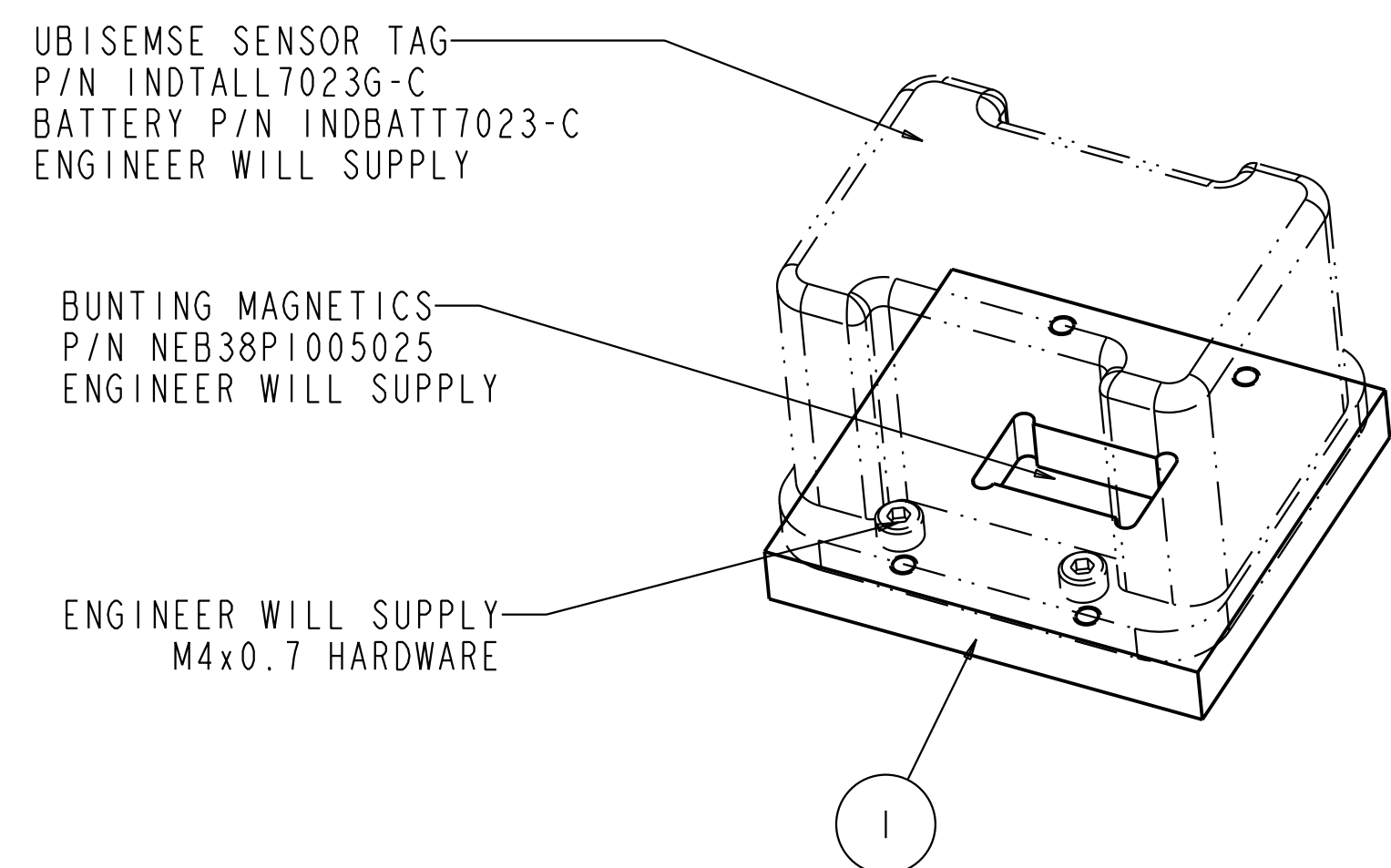
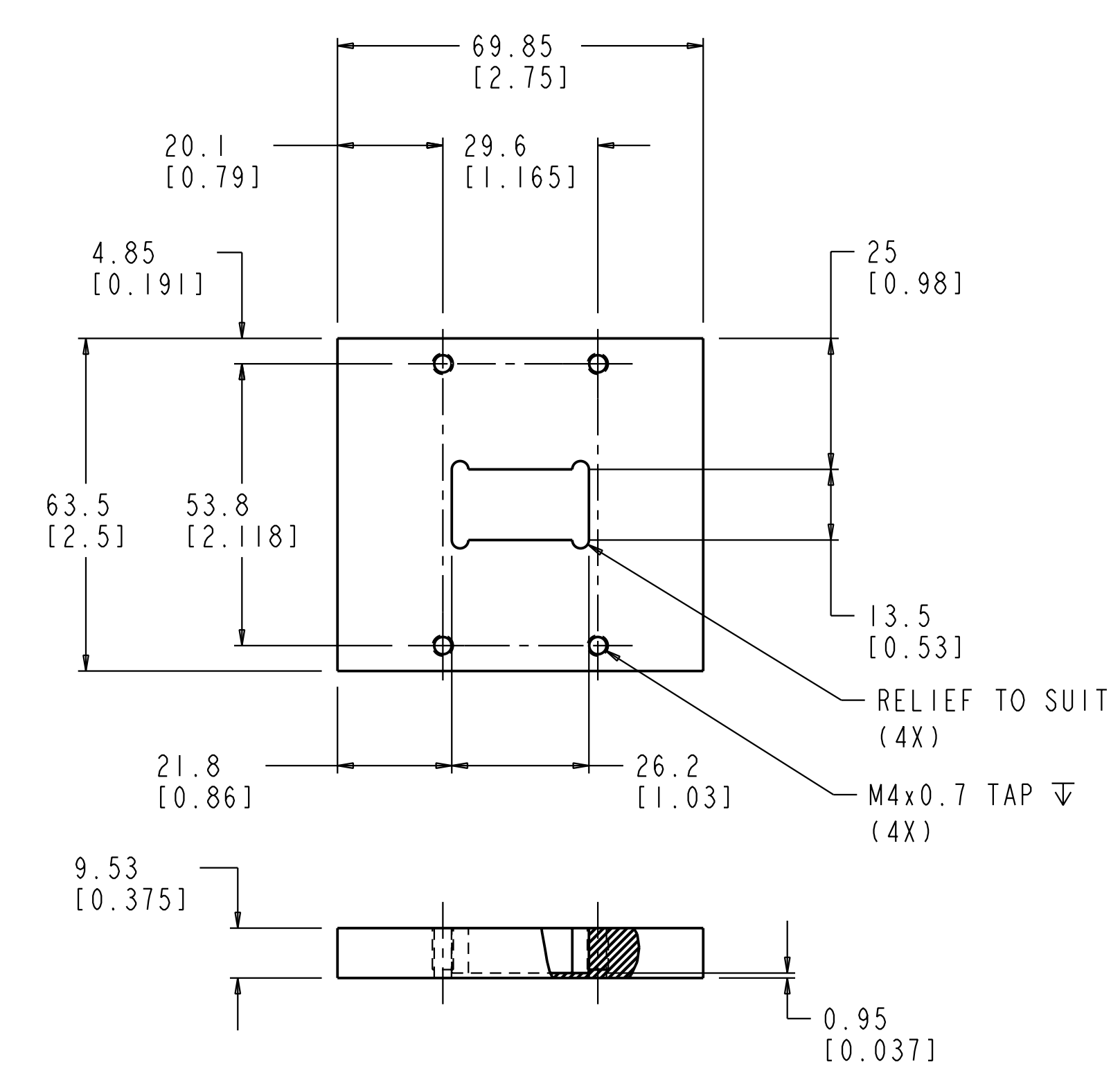


BILL OF MATERIAL				TOOL NUMBER	IMD202626	
NOTES	DETAIL	SHEET	DESCRIPTION	QTY.	ROUGH STOCK SIZE / SPEC.	PUR
	I	I	PLATE	I	9.5 X 63.5 X 69.9	UHMW



REV	DETAIL	SHEET	REQ'D	DESCRIPTION	ROUGH SIZE OF STOCK	MATERIAL	HARD	PUR
I	I	I	I	PLATE	9.5 X 63.5 X 69.9	UHMW		

NOTES:  
HOLD ALL NON-MACHINED LOCATIONAL DIMENSIONS OVER 120MM TO ±1.5 UNLESS OTHERWISE SPECIFIED  
HOLD ALL CUT STOCK LENGTHS OVER 120MM TO ±1.5 UNLESS OTHERWISE SPECIFIED  
ALL DIMENSIONS ENCLOSED IN A RACETRACK MUST BE INCLUDED IN THE INSPECTION REPORT.

MODEL RL MODEL REV  
Study A.2  
DRW RL DRW REV  
ptc\_wm\_lifecyc pccs\_wm\_lifecyc

UNSPECIFIED TOLERANCES SHOWN BELOW REF ISO 2768-1

UNSPECIFIED MACHINING DIMENSIONS:			
0.5 UPTO 3	±0.1mm	OVER 120 UPTO 400	±0.5mm
OVER 3 UPTO 6	±0.1mm	OVER 400 UPTO 1000	±0.8mm
OVER 6 UPTO 30	±0.2mm	OVER 1000 UPTO 2000	±1.2mm
OVER 30 UPTO 120	±0.3mm	OVER 2000 UPTO 4000	±2.0mm

UNSPECIFIED NON-MACHINED DIMENSIONS:			
0.5 UPTO 3	-	OVER 120 UPTO 400	±2.5mm
OVER 3 UPTO 6	±0.5mm	OVER 400 UPTO 1000	±4.0mm
OVER 6 UPTO 30	±1.0mm	OVER 1000 UPTO 2000	±6.0mm
OVER 30 UPTO 120	±1.5mm	OVER 2000	±8.0mm

EXCEPT AS NOTED TOLERANCES SHALL BE:  
±0.02 BETWEEN DOWELS  
±0.01 TO SCREW HOLES, NON ACCUMULATIVE

LETTER	BY	DATE	SHEET	DECISION	REVISION
A	JDDW/JJK	18SEP14	14202408690		NEW

1. STAMP TOOL AND LOOSE PARTS WITH TOOL NUMBER.	ORIGINAL PART NO.	
2. BREAK ALL CORNERS NOT REQUIRED TO BE SHARP.	SHEET SIZE: A2	
3. REFER TO JDV-24 FOR TOOL DESIGN STANDARDS.	MASS KG=1.5	
TOLERANCES DO NOT ACCUMULATE. DO NOT SCALE DRAWING FOR DIMENSIONS.	DESIGN CONTROL:	
	DATE	18SEP14
	DRAWN	JDDW/JJK
	CHECKED	JDDW/JEH
	SCALE	1:1
	METRIC	REFERENCES: JDS-G113

DEERE & COMPANY MOLINE, ILLINOIS 61265	
CONFIDENTIAL AND PROPRIETARY TO DEERE & COMPANY. UNAUTHORIZED USE, DISCLOSURE, OR REPRODUCTION PROHIBITED. COPYRIGHT © DEERE & COMPANY. ALL RIGHTS RESERVED.	
SHEET NO.	1 OF 1
TOOL DESCRIPTION UBISENSE SENSOR BRACKET	
TOOL NUMBER IMD202626	